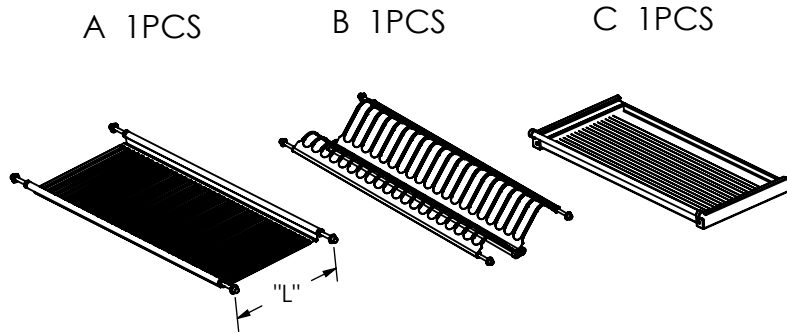


Fixing Instruction for A01 Series-Plate & Dish Holder

1、Accessories :

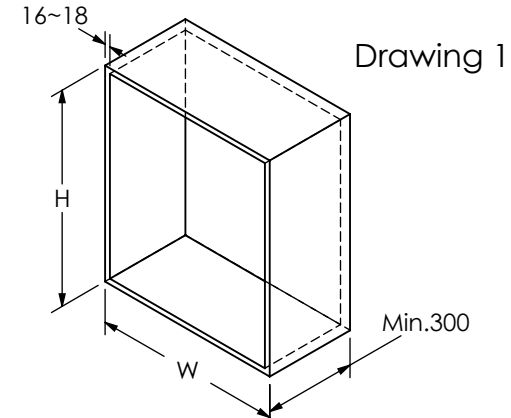


2、Specification & Cabinet Width :

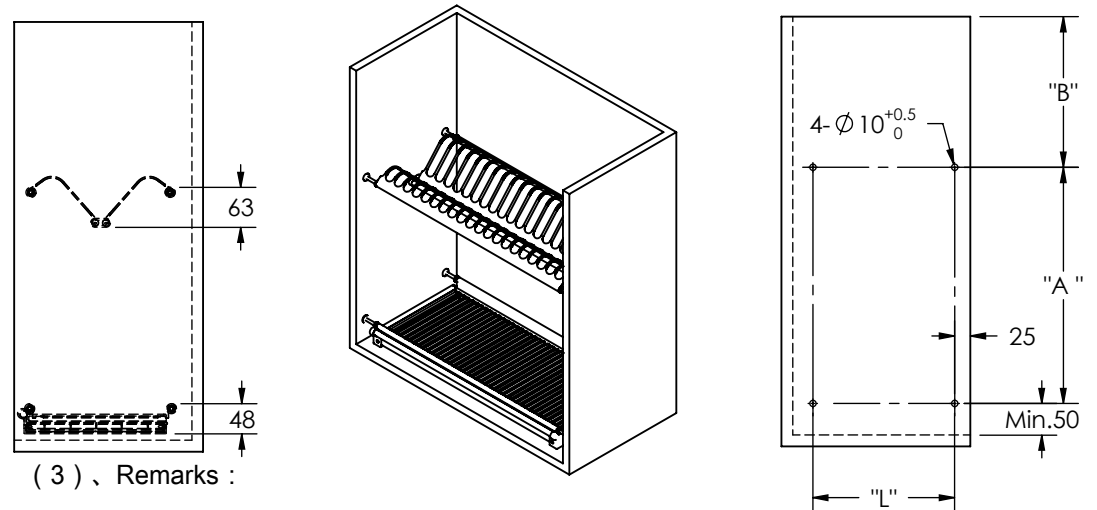
Item No.	Specification	Cabinet Width
	D*W*H	W
A0140	280*365*565	400
A0145	280*415*565	450
A0150	280*465*565	500
A0155	280*515*565	550
A0160	280*565*565	600
A0165	280*615*565	650
A0170	280*665*565	700
A0175	280*715*565	750
A0180	280*765*565	800
A0185	280*815*565	850
A0190	280*865*565	900
A0195	280*915*565	950
A01100	280*965*565	1000

3、Fixing Step :

(1) 、 Choose a suitable cabinet according the specification of particular products(Please refer to drawing 1) :



(2) 、 Drill the side-board of the cabinet then fix accessory "A","B" one by one as the following drawings.



(3) 、 Remarks :

a. Size "A" & Size "B" are based on high of cabinet. The following size are for your reference :

A=275mm , B=300mm (Both Size for reference only)

b. Depth of 4-φ10 hold is 7~9mm, please be careful that the side-board of cabinet not to be drilled through.