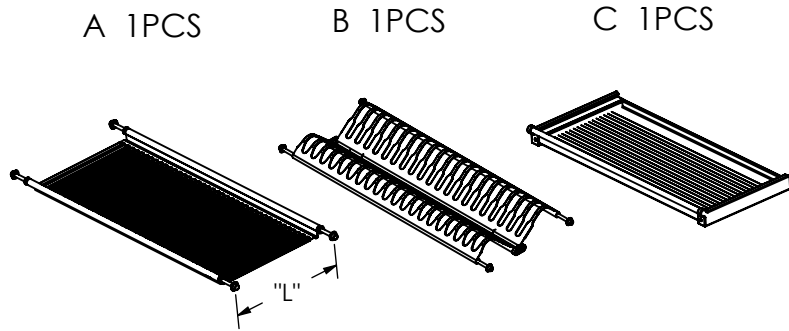


Fixing Instruction for A01C Series-Plate & Dish Holder

1、Accessories :

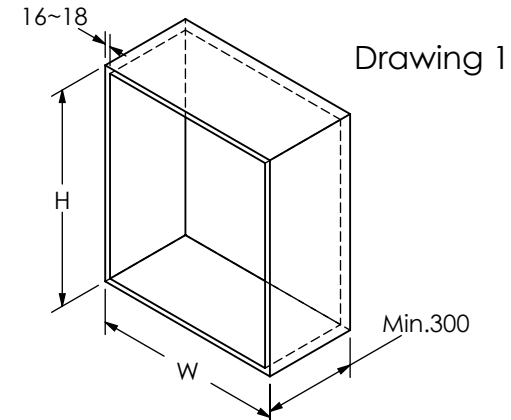


2、Specification & Cabinet Width :

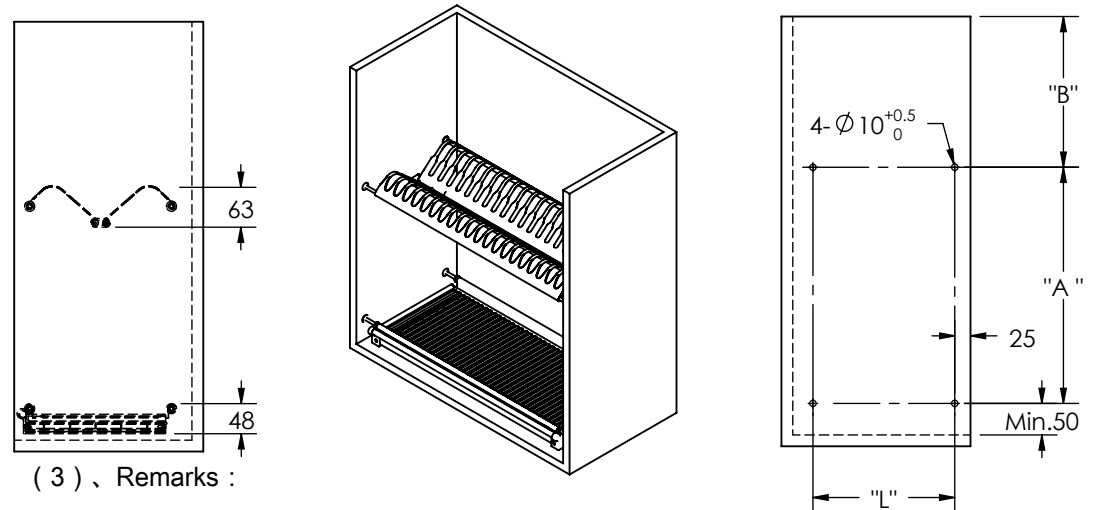
Item No.	Specification	Cabinet Width
	D*W*H	W
A0140C	280*365*65	400
A0145C	280*415*65	450
A0150C	280*465*65	500
A0155C	280*515*65	550
A0160C	280*565*65	600
A0165C	280*615*65	650
A0170C	280*665*65	700
A0175C	280*715*65	750
A0180C	280*765*65	800
A0185C	280*815*65	850
A0190C	280*865*65	900
A0195C	280*915*65	950
A01100C	280*965*65	1000

3、Fixing Step :

(1) 、 Choose a suitable cabinet according the specification of particular products(Please refer to drawing 1) :



(2) 、 Drill the side-board of the cabinet then fix accessory "A","B" one by one as the following drawings.



(3) 、 Remarks :

a) Size "A" & Size "B" are based on high of cabinet. The following size are for your reference :

A=275mm , B=300mm (Both Size for reference only)

b. Depth of 4-φ10 hold is 7~9mm, please be careful that the side-board of cabinet not to be drilled through.