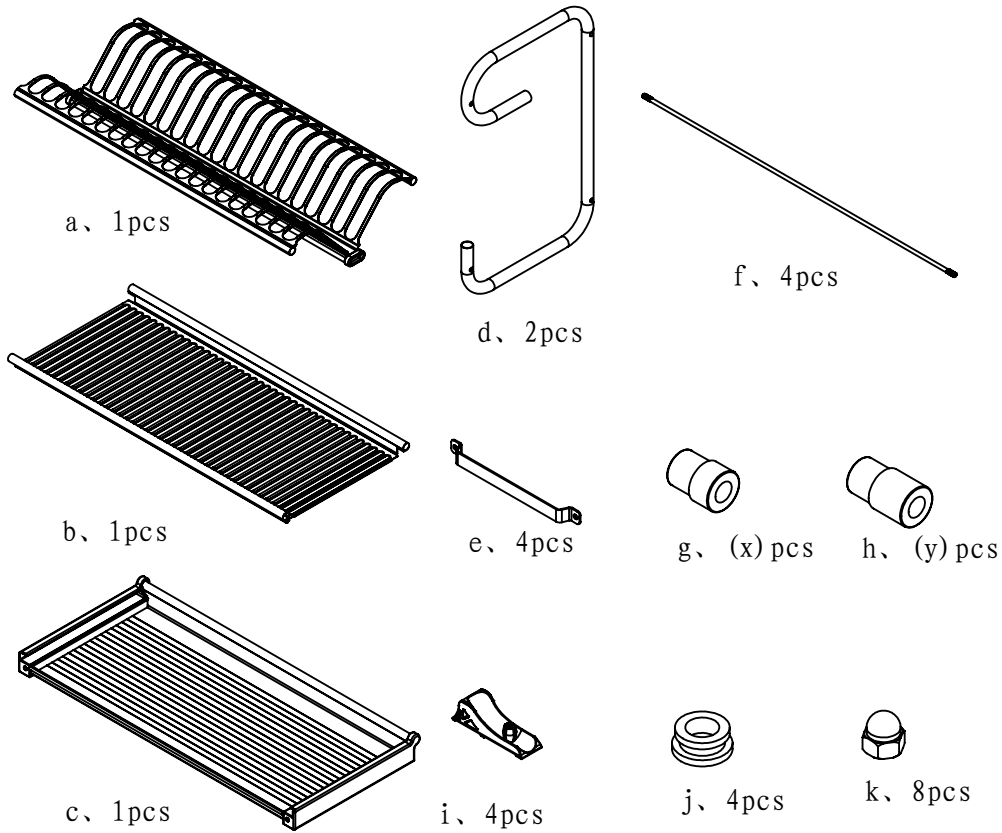


A04A Series Instruction

1. Accessory list



2. Specification

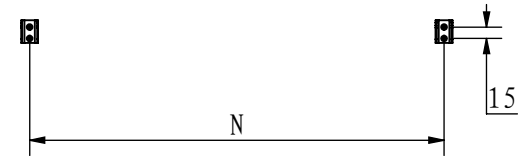
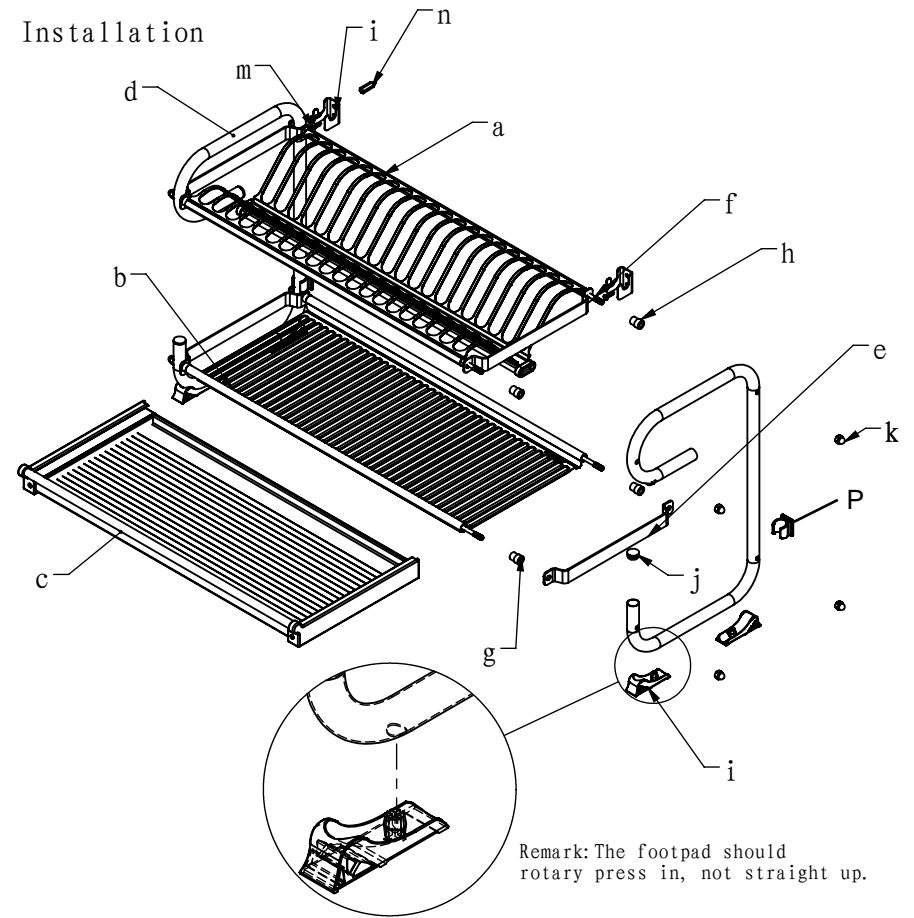
Item No.	Specification	Qty for parts "g"	Qty for parts "h"	Wall-mounted distance "N"
	W*D*H			
A0445A	440*255*385	4	4	410
A0450A	490*255*385	8	0	450
A0460A	590*255*385	4	4	560
A0470A	690*255*385	4	4	660
A0480A	790*255*385	8	0	760

optional parts when wall-mounted



1, 2pcs m, 4pcs n, 4pcs p, 2pcs

3. Installation



wall-mounted drawing