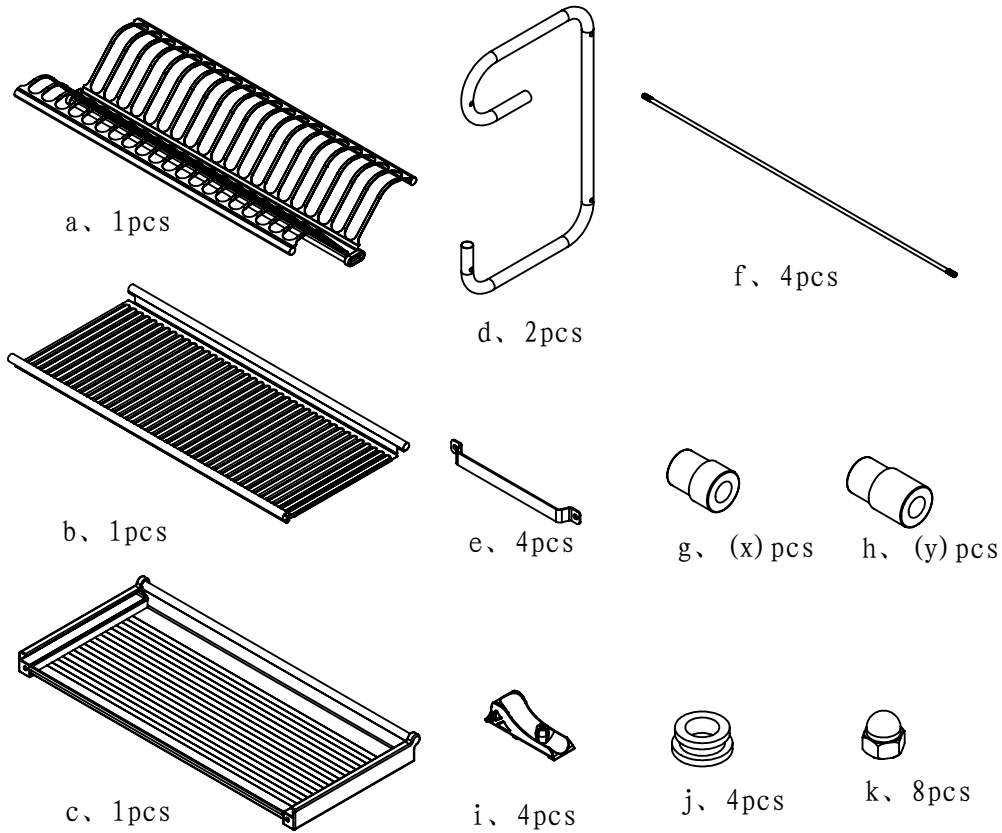
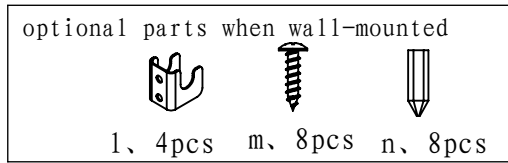


A04B Series Instruction

1. Accessory list



2. Specification



Item No.	Specification (L*W*H)mm	Qty for parts "g"	Qty for parts "h"	wall-mounted distance "N"
A0445B	440*252*347	4	4	410
A0450B	490*252*347	8	0	50
A0460B	590*252*347	4	4	560

3. Installation

