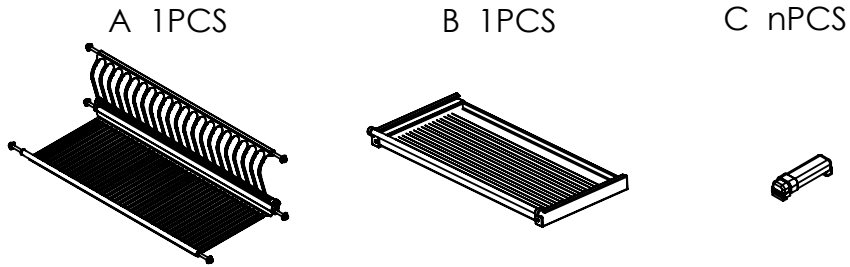


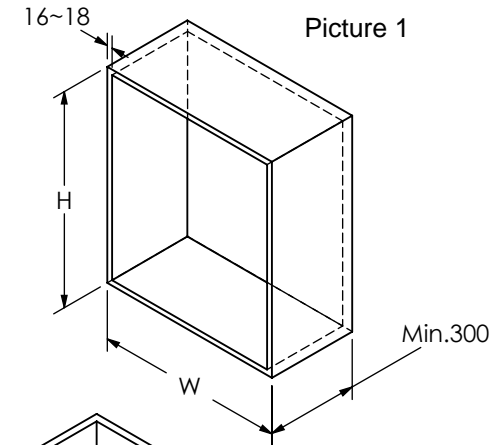
A06 series of stainless steel bowl & dish shelves

<1>Accessories:



<3>Fixing step:

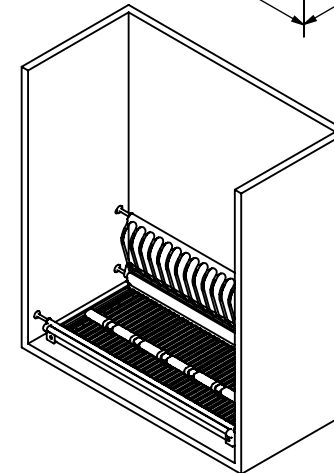
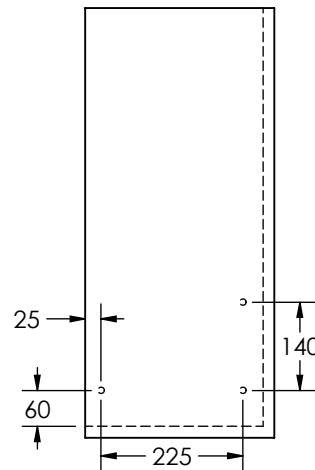
(1) According to product size choose suitable cabinet(Picture 1):



<2> specification & cabinet width:

Item No.	Product Size(mm)	Cabinet width(mm)	Accessory "C" (pcs)
A0650	280*465*186	500	5
A0660	280*565*186	600	6
A0670	280*665*186	700	7
A0680	280*765*186	800	8
A0690	280*865*186	900	9
A06100	280*965*186	1000	10
A06110	280*1065*186	1100	11
A06120	280*1165*186	1200	12

(2) Drilling hole(Picture 2):



Picture 2

(3) Remarks:

Depth of 6- ϕ 10 holder is 7-9mm, please be careful that the side-board of cabinet should not be drilled through.