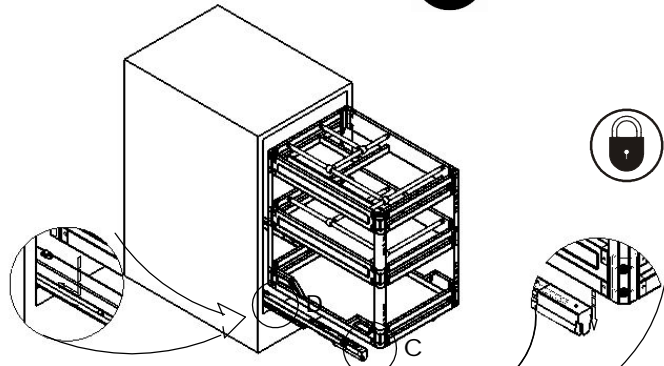


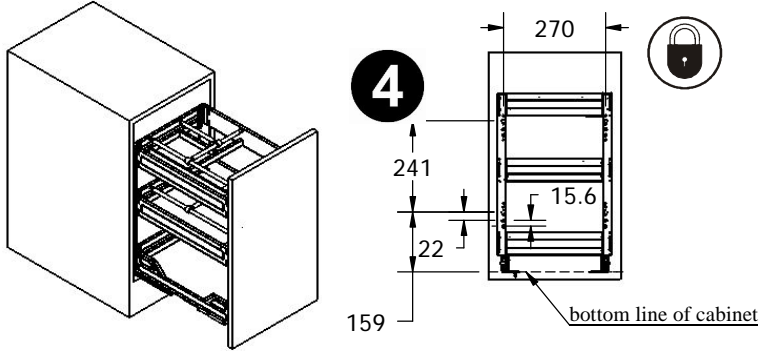
3、Fixing basket with runner (as following picture)

**3**



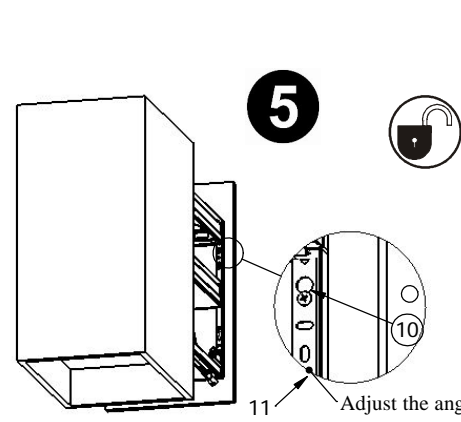
4、Fixing door with basket (as following picture)

**4**



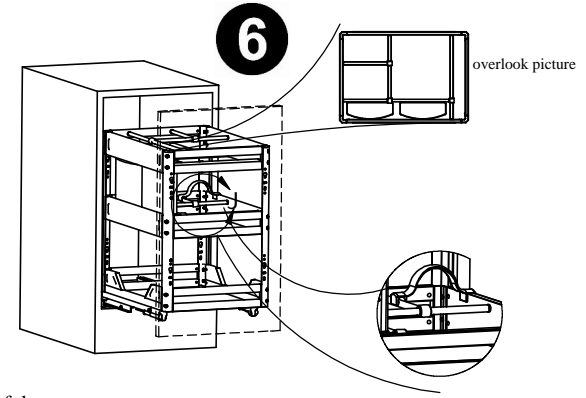
5、Put accessories in basket

**5**

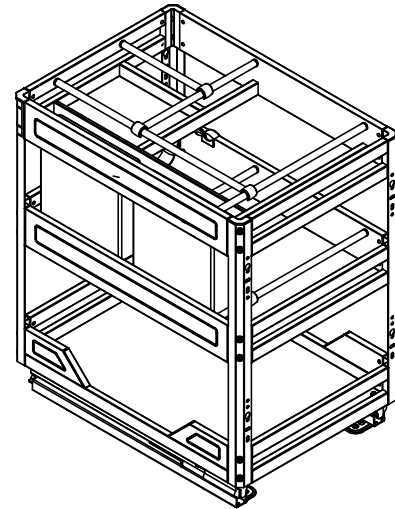


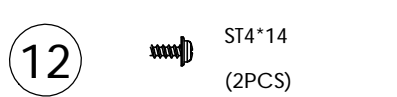
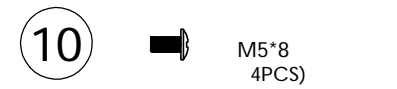
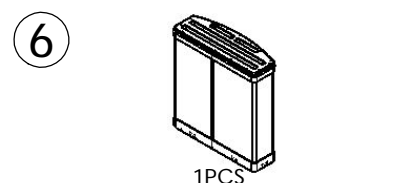
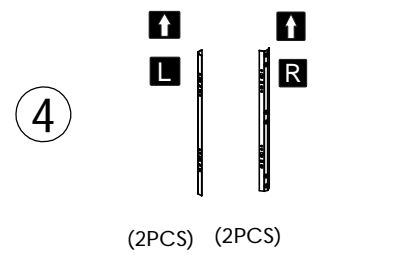
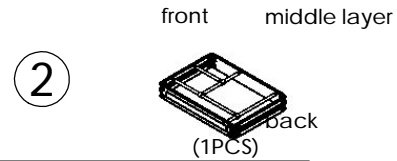
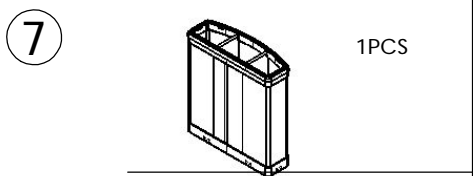
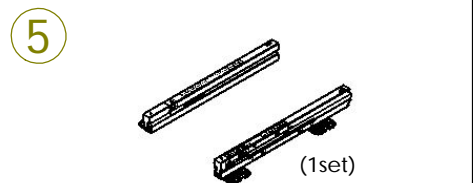
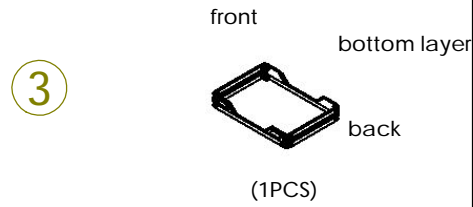
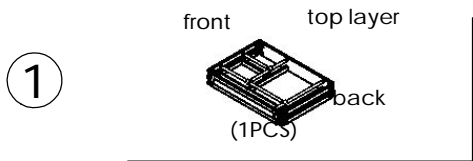
Adjust the angle of door

**6**

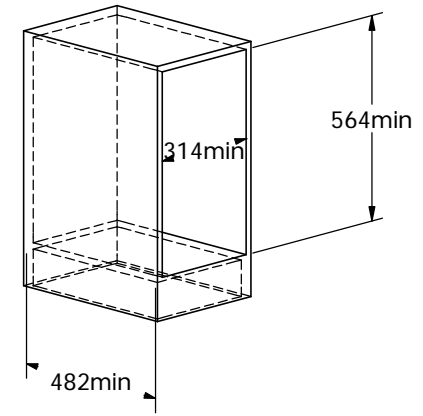


# Stainless steel drawer basket





2.Item size and cabinet size  
item size: 425\*300\*507



3.Fixing step

