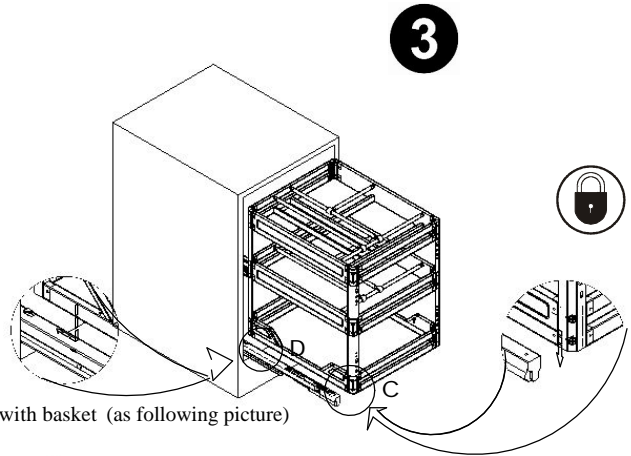
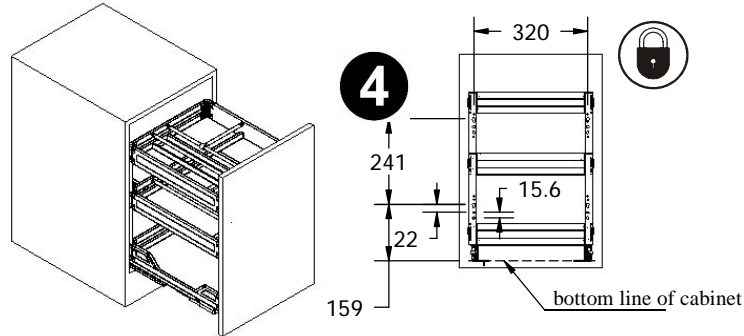


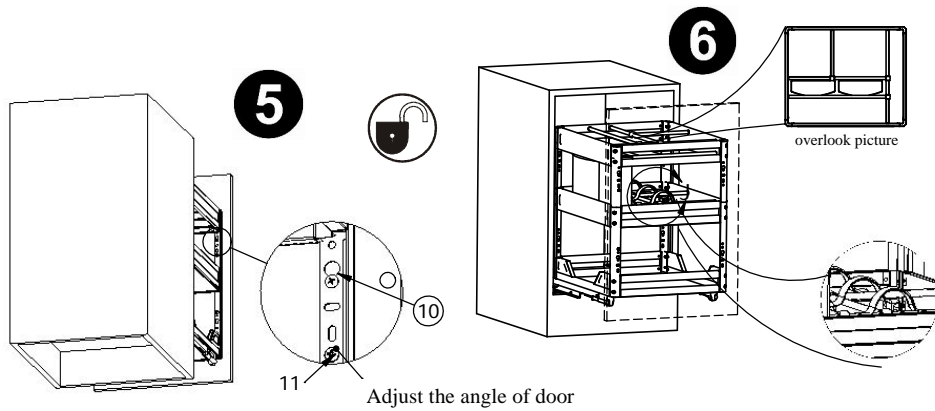
3、 Fixing basket with runner (as following picture)



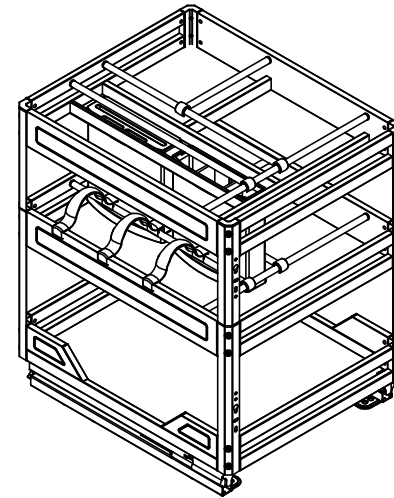
4、 Fixing door with basket (as following picture)



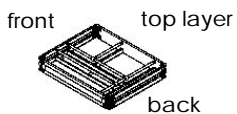
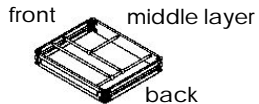
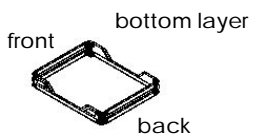
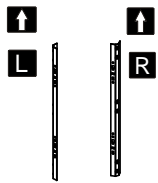
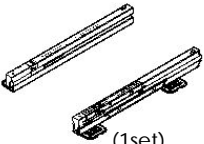
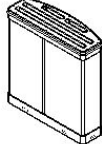
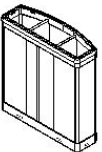



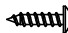

5、 Put accessories in basket



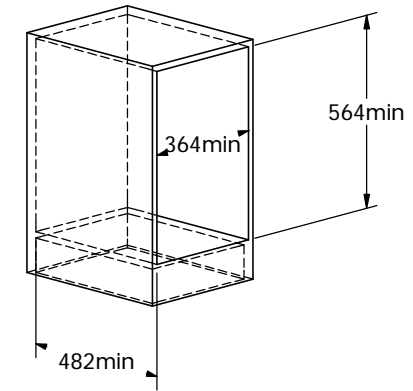
Stainless steel drawer basket



Item : E080440

<p>①</p>  <p>front top layer back (1PCS)</p>	<p>②</p>  <p>front middle layer back (1PCS)</p>
<p>③</p>  <p>front bottom layer back (1PCS)</p>	<p>④</p>  <p>↑ L ↑ R (2PCS) (2PCS)</p>
<p>⑤</p>  <p>(1set)</p>	<p>⑥</p>  <p>1PCS</p>
<p>⑦</p>  <p>1PCS</p>	<p>⑧</p>  <p>fixing the middle layer 3PCS</p>
<p>⑨</p>  <p>M4*8(24pcs)</p>	<p>⑩</p>  <p>M5*8 (4PCS)</p>
<p>⑪</p>  <p>ST4*14 (22PCS)</p>	<p>⑫</p>  <p>ST4*14 (2PCS)</p>

2.Item size and cabinet size
item size: : 425*350*507



3.Fixing step

