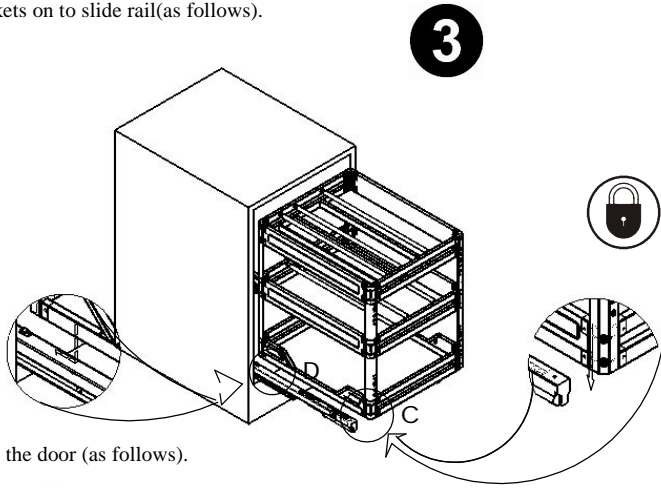
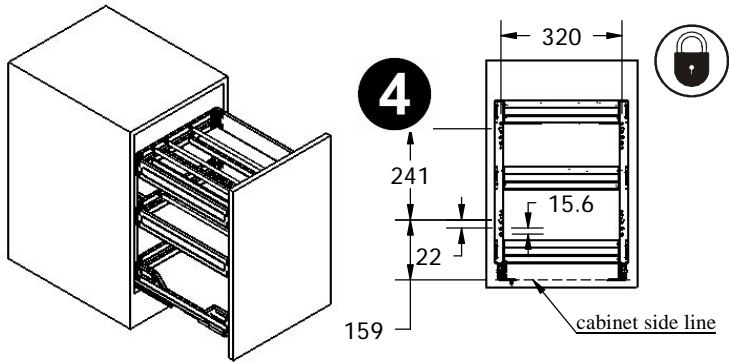


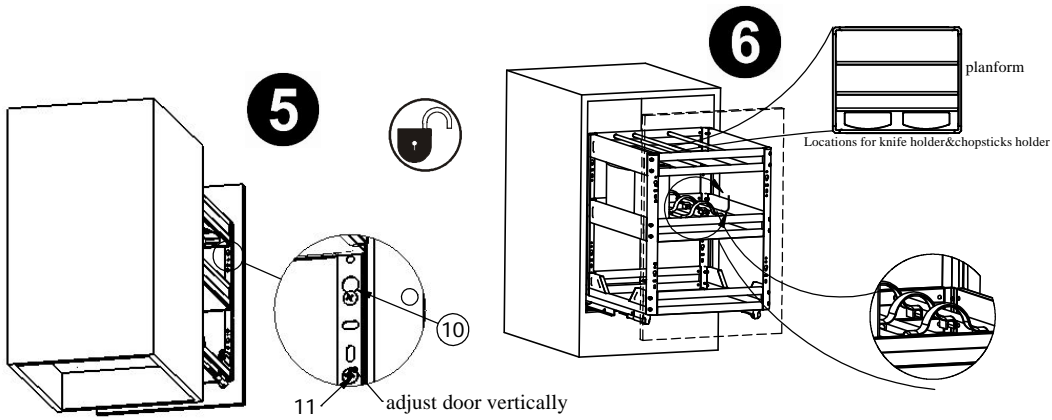
3、 Put baskets on to slide rail(as follows).



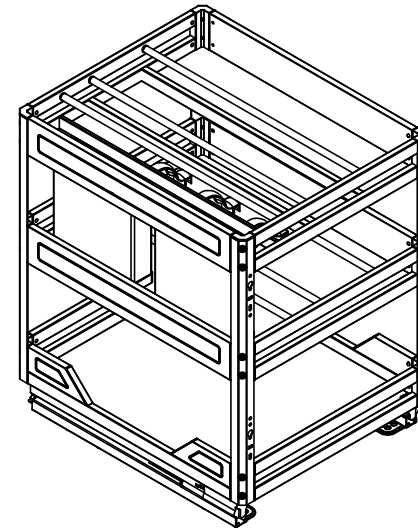
4、 Install the door (as follows).

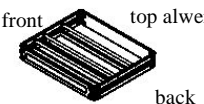
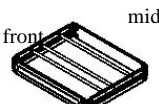
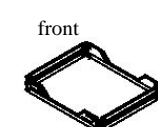
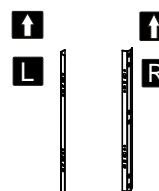

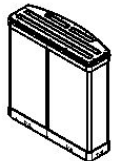
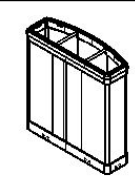







5、 Finish all accessories installation.

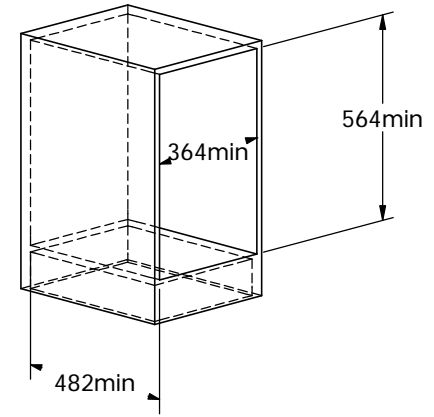


Stainless steel drawer basket



<p>①</p>  <p>front top alver back (1PCS)</p>	<p>②</p>  <p>front middle layer back (1PCS)</p>
<p>③</p>  <p>front bottom layer back (1PCS)</p>	<p>④</p>  <p>L R (2PCS) (2PCS)</p>
<p>⑤</p>  <p>(1set)</p>	<p>⑥</p>  <p>1PCS</p>
<p>⑦</p>  <p>1PCS</p>	<p>⑧</p>  <p>struck in the middle layer 3PCS</p>
<p>⑨</p>  <p>M4*8(24pcs)</p>	<p>⑩</p>  <p>M5*8 (4PCS)</p>
<p>⑪</p>  <p>ST4*14 (22PCS)</p>	<p>⑫</p>  <p>ST4*14 (2PCS)</p>

1. Product size&cabinet size
product size: 425*350*507



2. Installation procedure

